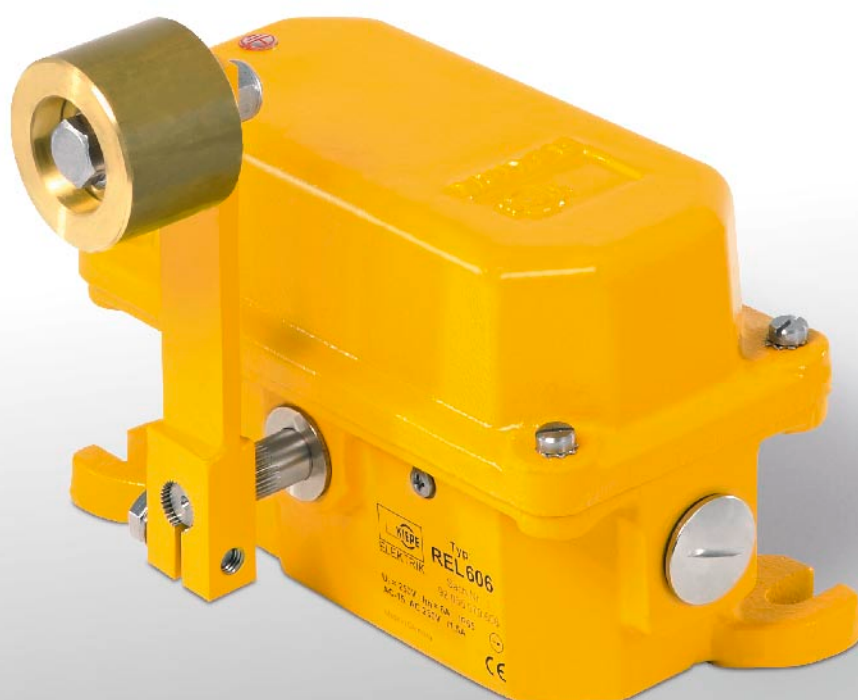


# Limit Switch

---

## REL

Leaflet No.      **Kiepe 605**



## APPLICATION

The limit switch REL made of rigid cast iron has been designed for a maximum of safe operation under severe conditions to become installed in any bulk handling system (e.g. in open pit mines). All external parts are either of stainless steel or have been specially plated. The trip points – both preset at 10° – can be adjusted between 5° and 35°.

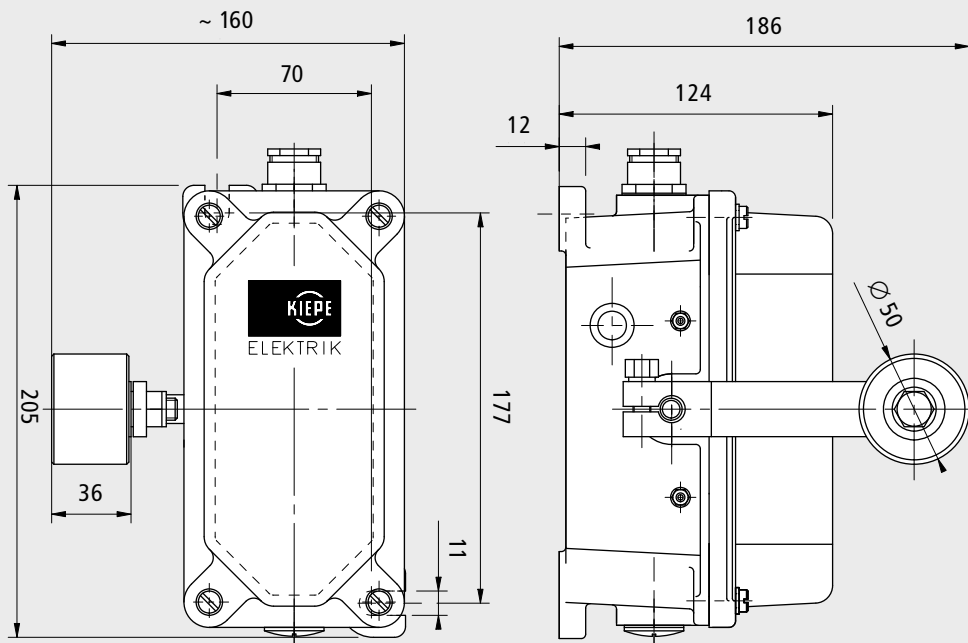
The roller lever with ball bearing is adjustable in steps of 12° on the shaft. Due to the toothing of shaft and roller lever (positive drive) and the positiv making switching elements the REL meets the requirements for safety applications.

## TECHNICAL DATA

Device complies with	EN 60947-5-1 EN 60204 VDE 0110
Enclosure	Cast iron (GJL 200)
Actuating roller lever	Roller: CuZn39Pb3, lever: stainless steel
Finish	2-component DD-tile enamel yellow, RAL 1004
Fastening	2 oblong holes for M10- bolts
Cable entry	2 x M 25 x 1,5
Protection	IP 67 according to EN 60529
Rated insulation voltage $U_i$	AC 230V, DC 230V
Earthing	Within enclosure, M 4
Admissible ambient temperature	-25°C ... +70°C
Switching elements	2 Changeover contacts, positive making
Conventional thermal current $I_{th}$	6A
Breaking capacity $I_e / U_e$	AC 15 / DC 12: $U_e = AC 240V, I_e = 1,5A$
Connections	max. 2,5 mm <sup>2</sup>
Exursion	75° max.
Ordering code	92.056 979.606

Note: The devices may be used in control circuits only!

## DIMENSIONS



Subject to change without notice.

**Vossloh Kiepe GmbH**

D-40599 Düsseldorf (Germany) · Kiepe-Platz 1  
Phone +49(0)211 74 97-0 · Fax +49(0)211 74 97-420  
info@kiepe-elektrik.com · www.kiepe-elektrik.com